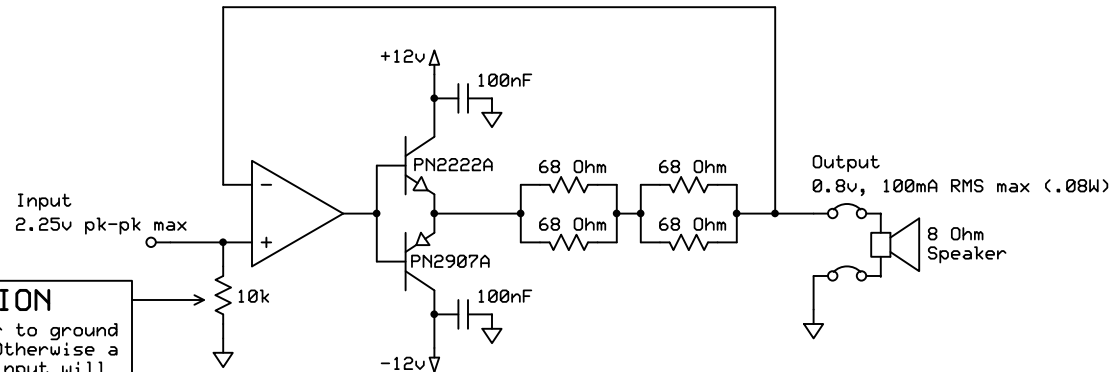


# Class B Audio Speaker Driver

There will be some "cross-over" distortion with this design, but the speakers aren't very good anyway.



**CAUTION**  
Input resistor to ground is required! Otherwise a disconnected input will cause 68 Ohm resistors to overheat!

100nF bypass capacitors on transistor collectors are critical to avoid high-frequency instability.

The 4x68 Ohm resistors give a total of 1W power dissipation, which is required.

**CAUTION**  
Exceeding the pk-pk input voltage limit will cause the output to clip (saturate) and will greatly increase the 68 Ohm resistor power dissipation, so don't do it! Use a voltage divider on the input! (shown below)

<b>Audio Speaker Driver</b>	
<b>Physics 5/105</b>	
F. Rice	Rev 1.0 11/20/2013
Page 1 of 1	